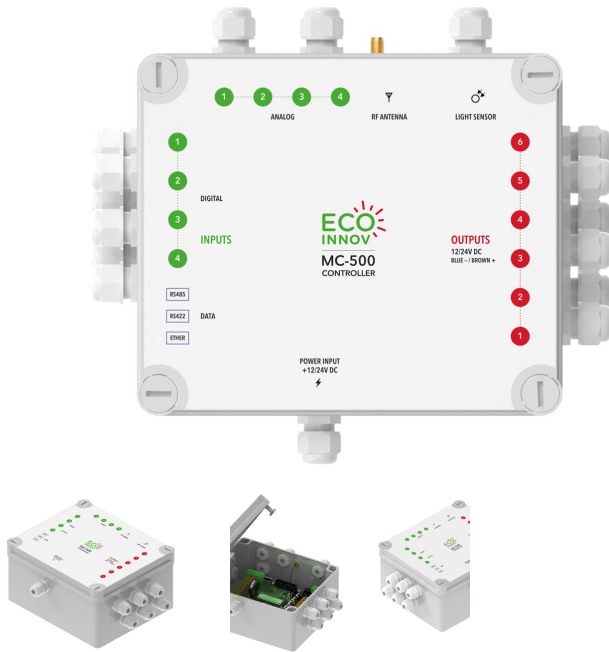


MC-500

CONTROL - Controllers





LED controller for extra low voltage wired studs.

IP65 micro-controller for the custom control of extra low voltage wired LED studs. Custom beaconing, automated control, synchronisation, remote control, various connectors for combined operation with signalling equipment, such as radars, bollards or traffic lights. Numerous communication protocols supported. Power supply not included.

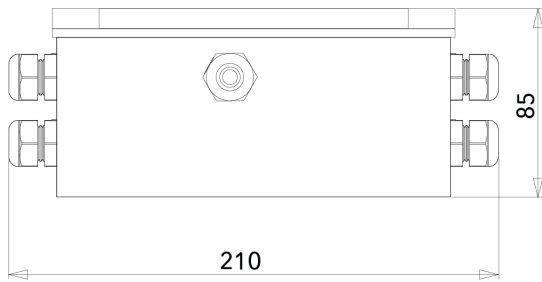
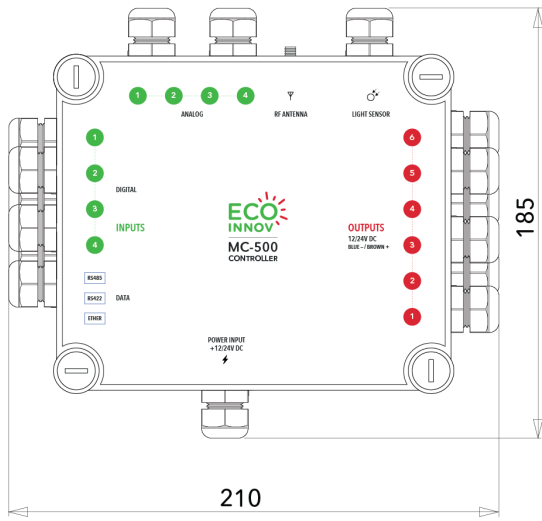
Standards

IP65

Recycling

Certifications

RoHS
COMPLIANT
2002/95/EC



Unit : mm - Tolerance +/- 0.5mm. © Eco-Innov - All rights reserved.

TECHNICAL CHARACTERISTICS

Installation: for electrical cabinet

Input: 12V DC or 24V DC

Outputs: 1 to 6 lines of studs (optional extension)

Connection : possible admission of dry contacts

Standard size: 210 x 185 x 85 mm

Customisable beaconing

- LED Power
- Outdoor light sensor
- Lighting duration and intensity
- Light Modes

Automated lighting

- Flashing for speeding
- Synchronisation with traffic lights
- Synchronisation with public lighting
- Numerous sensors and actuators

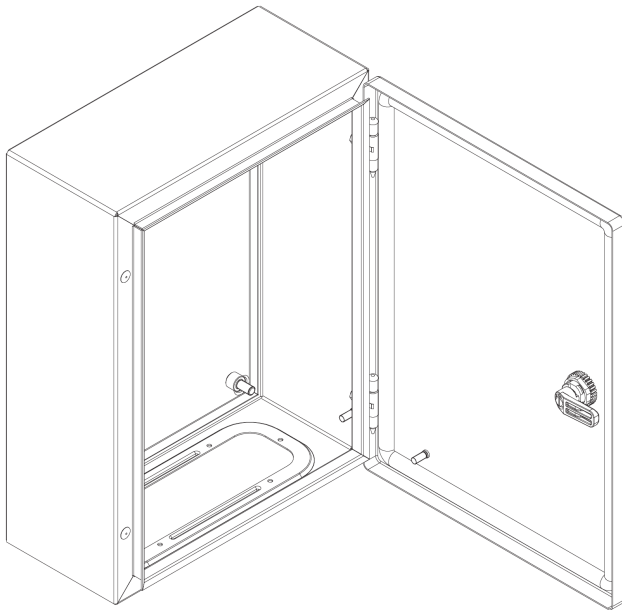
Remote control

- Failure and peripherals monitoring
- Transmission of logs and alerts
- Remote control with 4G router
- Facilities safety

Customization

- Customized expansion cards
- BT, Wi-Fi, 3G/4G, NB-IoT communication
- Add additional inputs
- Adding additional outputs

Recycling supported by ECOSYSTEM



INSTALLATION

Install in a waterproof cabinet. DIN rail optional.

Connection to a 12V DC or 24V DC extra low voltage power supply.

Lifespan and warranty

Lifetime of more than 10 years in 24-hour operation.

2-year warranty*

* The warranty applies in the event of complete failure of the controller system under normal use and installation according to our recommendations. It consists in replacing the defective element by an identical or equivalent article, under the condition of return to ECO-INNOV for analysis. On-site intervention costs are not included. Mechanical damage is not covered.

Recycling

ECO-INNOV is a founder member of a network that recycles professional WEEE, managed by the eco-organisation ECOSYSTEM. We pay for our customers' electronic safety, lighting and regulation equipment to be collected at the end of its working life in order to meet our legal obligations and help them to meet theirs.

The unique identifier FR006801_05MBCK attesting to registration in the register of producers in the EEE sector, pursuant to article L.541-10-13 of the Environmental Code, has been assigned by ADEME to the company ECO-INNOV (SIRET 451 859 409 00026). This identifier certifies its conformity with regard to its obligation to registration in the register of producers of Electrical and Electronic Equipment and the realisation of its declarations of placing on the market with Ecosystem.

ECO-INNOV is thus one of the first producers to offer its customers a simple and free solution for collecting their professional WEEE, regardless of when it was marketed. The equipment is collected via a network of professional waste collection centres and certain wholesalers.



www.ecosystem.eco



Pedestrian crossings Claye Souilly



Mini-roundabout. Security marking on a vehicle-proof mini-roundabout in the city centre of Viry-Châtillon. Extra-low voltage embedded road beacon ECO-870 (constant markup with 24 blue LED visible through 360 degrees). Photography : Karolina Samborska.