

ECO-CITY 80

REFLEXREFLEX - Flexible bollard





Flexible reflective bollard

Bollards with a modern, streamlined design to mark out public spaces and protect the most exposed users: pedestrians, cyclists and motorcyclists.

Its shape-memory structure is highly resistant, allowing it to return to its original shape after an impact.

Anti-UV polyurethane suitable for salty environments. Various customisation options.

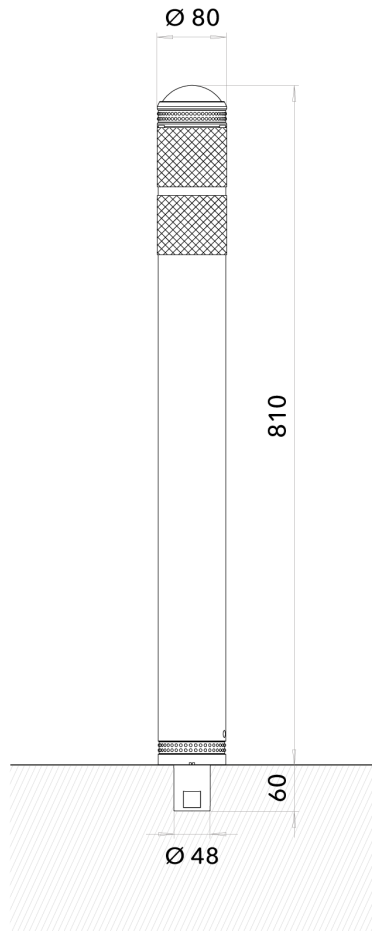
Fixing: Anchoring foot to suit the surface and site constraints.

Applications

Cycle paths, Car parks, Footpaths, Footpaths

Certifications

CE



Unit: mm - Tolerance +/- 0.5mm. Eco-Innov - All rights reserved.

TECHNICAL SPECIFICATIONS

Description

Flexible bollard with shape memory structure that automatically springs back into its original shape after an impact, without damaging the seal. Protects users, particularly 2-wheelers, from head impacts compared to a steel post.

Dimensions

Diameter: 80 mm.

Height above ground: 810 mm.

Weight: 1.850 kg.

Aluminium anchoring foot: diameter 48 mm x height 60 mm.

Bollard colour

Anthracite grey (RAL 7016).

Custom RAL available based on quantity.

Reflective elements

2 white reflective strips.

Reflective glass beads for additional signage.

Other configurations on request.

Installation instructions

Core drill 60 mm in diameter x 70 mm deep minimum. Sealed with SIKADUR 30 or SIKADUR 42 epoxy adhesive.

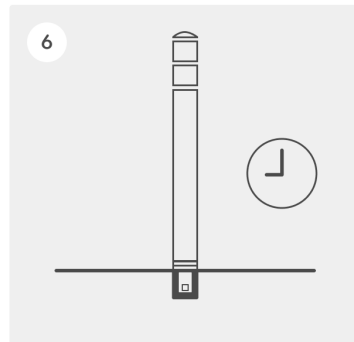
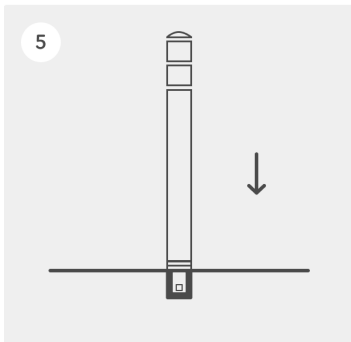
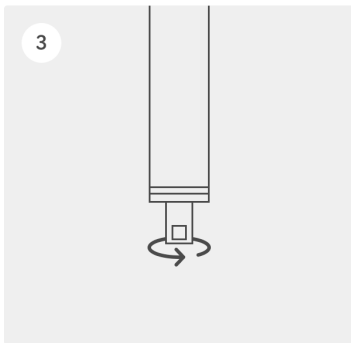
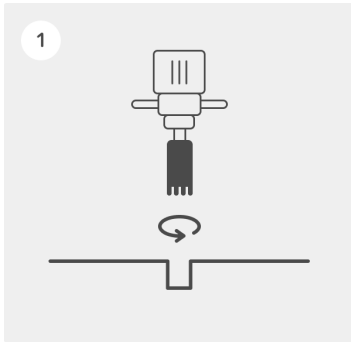
Maintenance

Post screwed into its anchoring foot.

Simple temporary replacement or removal.

Applications

Multi-modal meeting zones, demarcation of cycle paths, pedestrian walkways, etc.



© Eco-Innov - All rights reserved

1. After spotting the bollards location, drill a hole 60 mm in diameter and 70 mm deep.

2. Carefully brush and clean the hole to remove any dust and traces of damp that would affect the efficiency of the adhesive.

3. Screw the anchor foot firmly under the post.

4. Pour the appropriate bonding adhesive into the hole about 2/3 of the way down. To assess the correct quantity of adhesive, make sure that it extends all the way to the bottom of the post without creating any extra thickness. We recommend using SIKADUR 30 or SIKADUR 42 two-component epoxy adhesive.

5. Insert the bollard into the hole filled with adhesive.

6. Allow the adhesive to dry before applying any mechanical stress and before re-establishing traffic (refer to the adhesive's instructions for use).

– Failure to follow these instructions may invalidate the warranty.