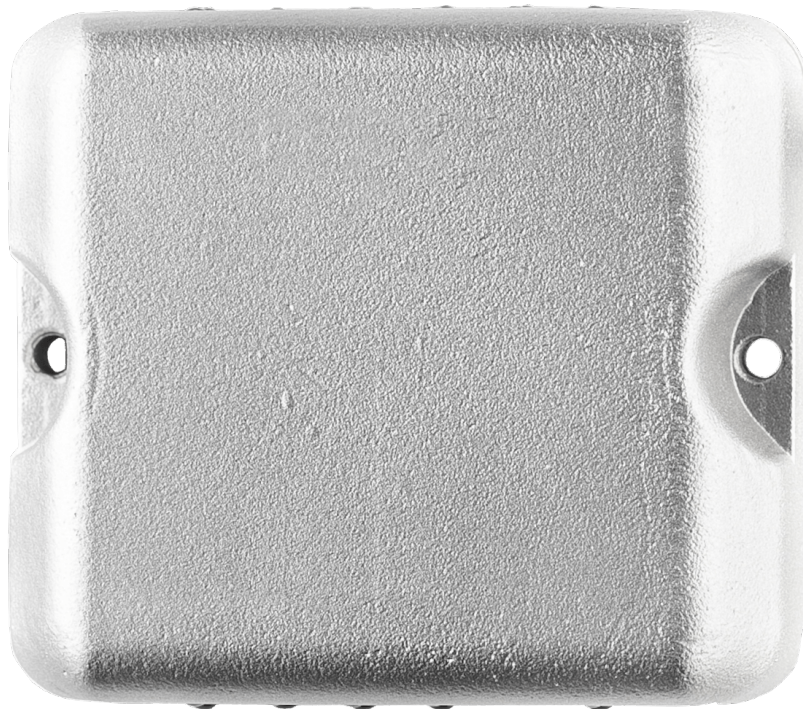
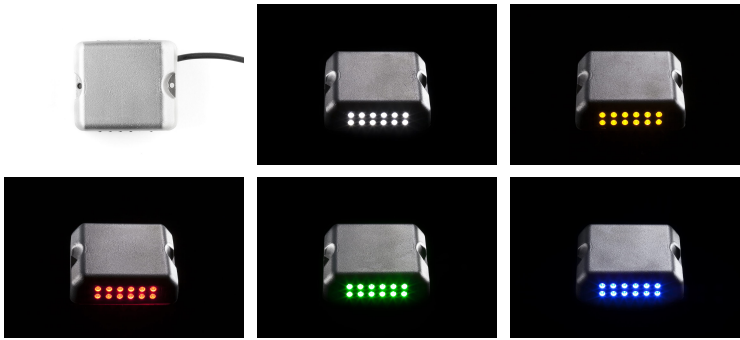


ECO-824

EXTRA-LOW VOLTAGE - Surface-mounted ELV beacons





Projecting hard-wired edge stud

Low-consumption luminous beaconing solution, suited to areas that cannot be crossed by motor vehicles.

Applications

Chicanes / Build-outs, Car parks, Pontoons / Footbridges

Resistance

2T

Standards

IK10

IP68

20 Joules

LED Colors



Beaconing

12 LED, 24 LED, Constant, Blinking, Synchronized blinking, Sequential, Vertical, Grazing

Customization

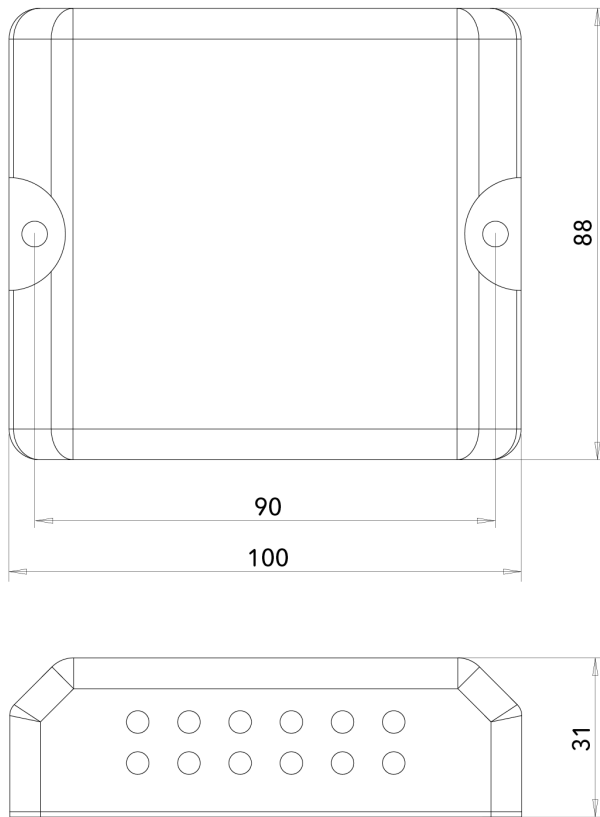
Custom wiring

Recycling



Certifications





Cables and cable glands not shown. Unit : mm - Tolerance +/- 0.5mm. © Eco-Innov - All rights reserved.

TECHNICAL CHARACTERISTICS

Dimensions and weight

Length: 100 mm.

Width: 88 mm.

Height: 31 mm.

Saillie: 31 mm.

Materials

Aluminium.

Recycling managed by ECOSYSTEM.

Power supply / Consumption

24V dc / 0.96 Wh to 1.92 Wh.

230V AC on request (constant LEDs only).

Electrical class

III

Working temperature range

-30°C to +85°C.

Applications

Beaconing of tunnels, car parks, bridges, vertical walls, etc.

Connections

Each ECO-824 stud is delivered with 1 metre of cable as standard (other lengths can be supplied on request).

Protection indices

IP 68 (watertightness).

IK 10 (impact resistance).

LIGHTING CHARACTERISTICS

Unidirectional 12 LEDs or bidirectional 2x12 LEDs.

Constant mode, blinking or sequential.

LED colours: white, blue, green, red, amber.

Lifespan and warranty

2-year warranty*

LED: 100,000 hours (> 10 years of round-the-clock operation).

* The warranty applies in the event of complete failure of the self-contained lighting system during normal usage. It covers replacement of the faulty article with an identical model delivered free of charge to destinations in metropolitan France, after the faulty article has been returned and analysed. Removal of the faulty article, installation of the new one and any mechanical damage are not covered by the warranty.

Recycling

ECO-INNOV is a founder member of a network that recycles professional WEEE, managed by the eco-organisation ECOSYSTEM. We pay for our customers' electronic safety, lighting and regulation equipment to be collected at the end of its working life in order to meet our legal obligations and help them to meet theirs.

The unique identifier FR006801_05MBCK attesting to registration in the register of producers in the EEE sector, pursuant to article L.541-10-13 of the Environmental Code, has been assigned by ADEME to the company ECO-INNOV (SIRET 451 859 409 00026). This identifier certifies its conformity with regard to its obligation to registration in the register of producers of Electrical and Electronic Equipment and the realisation of its declarations of placing on the market with Ecosystem.

ECO-INNOV is thus one of the first producers to offer its customers a simple and free solution for collecting their professional WEEE, regardless of when it was marketed. The equipment is collected via a network of professional waste collection centres and certain wholesalers.



www.ecosystem.eco

