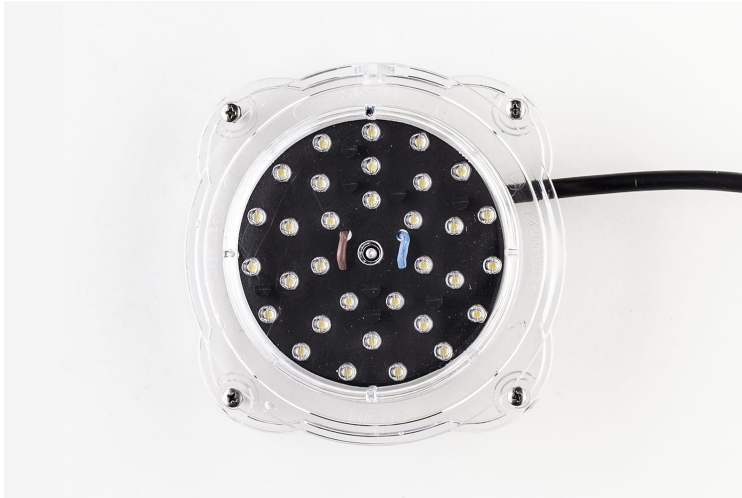


ECO-801/2/3

EXTRA-LOW VOLTAGE - Surface-mounted ELV beacons





Screw-on LED signalling light

Used for road beaconing on vertical signalling panels or other supports. Low-consumption beaconing solution (very low voltage). Elegantly designed, reliable, multipurpose beaconing device made from quality materials.

ECO-801: 32 LEDs

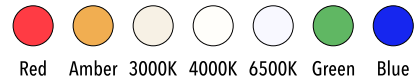
ECO-802: 60 LEDs

ECO-803: 120 LEDs

Applications

Chicanes / Build-outs, Roads / Expressways, Car parks

LED Colors



Beaconing

32 LED, 60 LED, 120 LED, Constant, Blinking, Synchronized blinking, Sequential

Customization

Custom wiring

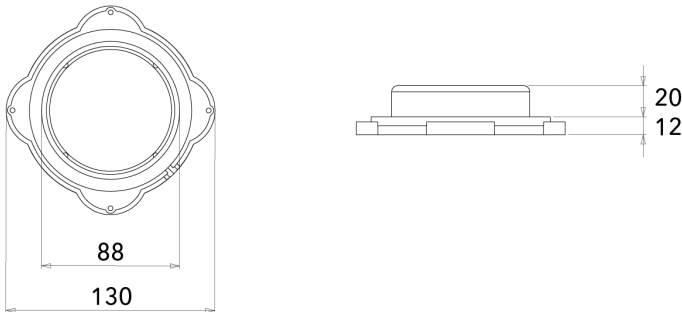
Recycling



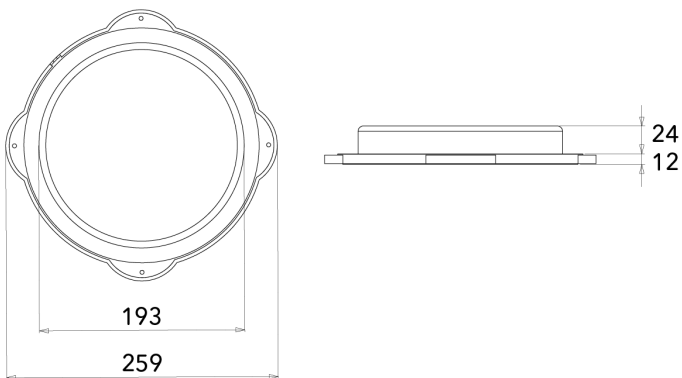
Certifications



ECO-801/802



ECO-803



Cables and cable glands not shown. Unit : mm - Tolerance +/- 0.5mm. © Eco-Innov - All rights reserved.

TECHNICAL CHARACTERISTICS

Materials

Polycarbonate.

Recycling managed by ECOSYSTEM.

Power supply / Consumption

12V dc or 24 V dc.

1.92 Wh to 3.84 Wh (ECO-801).

3.6 Wh to 7.2 Wh (ECO-802).

7.2 Wh to 14.4 Wh (ECO-803).

LIGHTING CHARACTERISTICS

ECO-801: 32 LEDs

ECO-802: 60 LEDs

ECO-803: 120 LEDs

Constant, blinking or sequential mode.

LED colours: white, blue, green, red, amber.

Lifespan and warranty

1 year warranty.*

Average lifespan more than 5 years.

* The warranty applies in the event of complete failure of the self-contained lighting system during normal usage. It covers replacement of the faulty article with an identical model delivered free of charge to destinations in metropolitan France, after the faulty article has been returned and analysed. Removal of the faulty article, installation of the new one and any mechanical damage are not covered by the warranty.

Recycling

ECO-INNOV is a founder member of a network that recycles professional WEEE, managed by the eco-organisation ECOSYSTEM. We pay for our customers' electronic safety, lighting and regulation equipment to be collected at the end of its working life in order to meet our legal obligations and help them to meet theirs.

The unique identifier FR006801_05MBCK attesting to registration in the register of producers in the EEE sector, pursuant to article L.541-10-13 of the Environmental Code, has been assigned by ADEME to the company ECO-INNOV (SIRET 451 859 409 00026). This identifier certifies its conformity with regard to its obligation to registration in the register of producers of Electrical and Electronic Equipment and the realisation of its declarations of placing on the market with Ecosystem.

ECO-INNOV is thus one of the first producers to offer its customers a simple and free solution for collecting their professional WEEE, regardless of when it was marketed. The equipment is collected via a network of professional waste collection centres and certain wholesalers.



www.ecosystem.eco