

ECO-506

SOLAR - Vertical solar lights





Solar-powered lights

Beaconing solution consuming no energy. ECO-506 solar-powered lights are fixed on 60 mm diameter posts. They are used for safety beaconing thanks to 6 diodes that flash throughout the night. Unidirectional beaconing with LEDs flashing at 300 flashes/min. 6 light-emitting diodes with a lens on each LED.

Applications

Chicanes / Build-outs, Roads / Expressways, Eco-districts

Standards

IP65

LED Colors



Red Amber

Beaconing

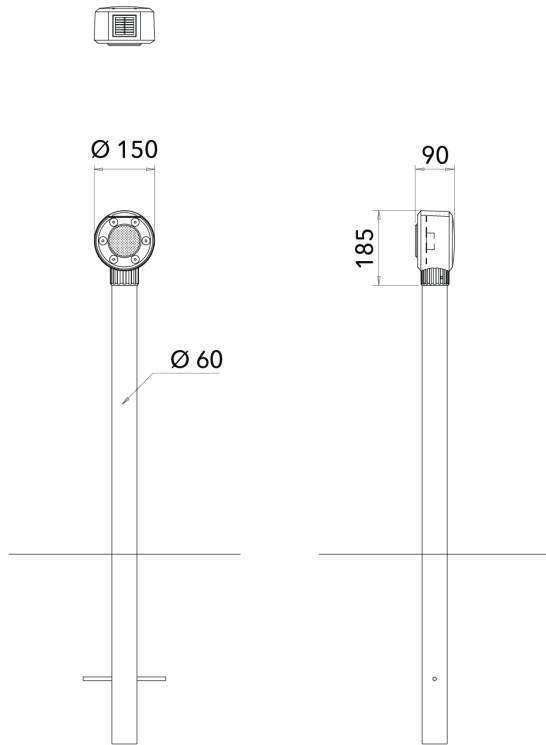
6 LED, Blinking

Recycling



Certifications





Cables and cable glands not shown. Unit : mm - Tolerance +/- 0.5mm. © Eco-Innov - All rights reserved.

TECHNICAL CHARACTERISTICS

Dimensions and weight

Ø Central optics: 150 mm.

Fixed on Ø 60 mm post

Weight: approximately 490 g.

Materials

Polycarbonate

Recycling managed by ECOSYSTEM.

Energy storage

Condenser

Working temperature range

-30°C to +85°C.

Protection indices

IP 65 (watertightness).

LIGHTING CHARACTERISTICS

Unidirectional beaconing with 6 flashing LEDs.

Diffuser lens on each LED and central reflector, Ø 80 mm.

Flashing frequency: 300 flashes / min (±10%)

LED colours: red (yellow/amber on request).

Lifespan and warranty

2-year warranty*

Average lifespan more than 10 years.

* The warranty applies in the event of complete failure of the self-contained lighting system during normal usage. It covers replacement of the faulty article with an identical model delivered free of charge to destinations in metropolitan France, after the faulty article has been returned and analysed. Removal of the faulty article, installation of the new one and any mechanical damage are not covered by the warranty.

Recycling

ECO-INNOV is a founder member of a network that recycles professional WEEE, managed by the eco-organisation ECOSYSTEM. We pay for our customers' electronic safety, lighting and regulation equipment to be collected at the end of its working life in order to meet our legal obligations and help them to meet theirs.

The unique identifier FR006801_05MBCK attesting to registration in the register of producers in the EEE sector, pursuant to article L.541-10-13 of the Environmental Code, has been assigned by ADEME to the company ECO-INNOV (SIRET 451 859 409 00026). This identifier certifies its conformity with regard to its obligation to registration in the register of producers of Electrical and Electronic Equipment and the realisation of its declarations of placing on the market with Ecosystem.

ECO-INNOV is thus one of the first producers to offer its customers a simple and free solution for collecting their professional WEEE, regardless of when it was marketed. The equipment is collected via a network of professional waste collection centres and certain wholesalers.



www.ecosystem.eco