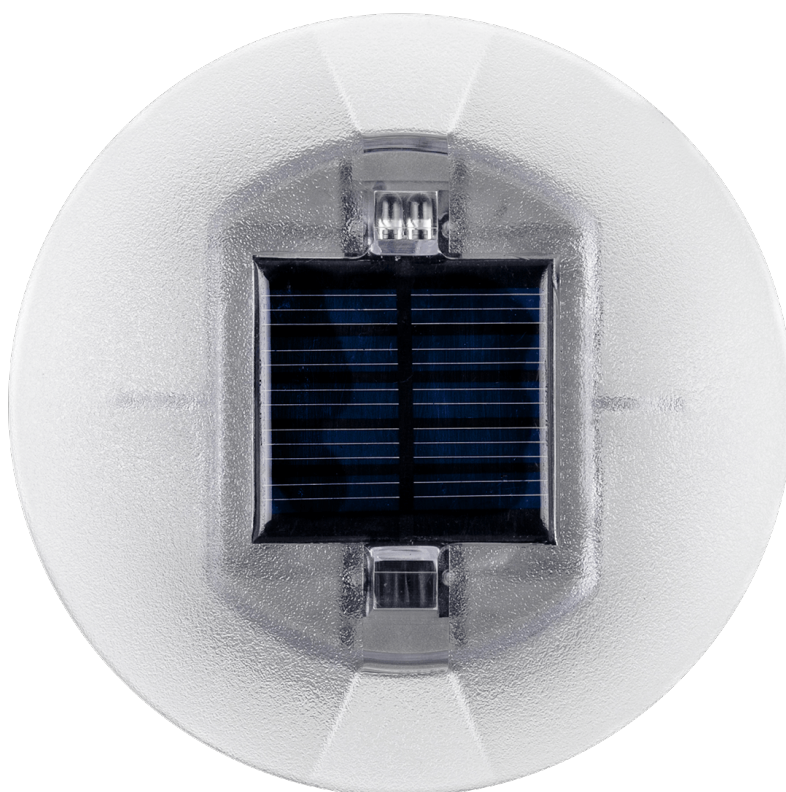


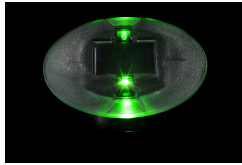
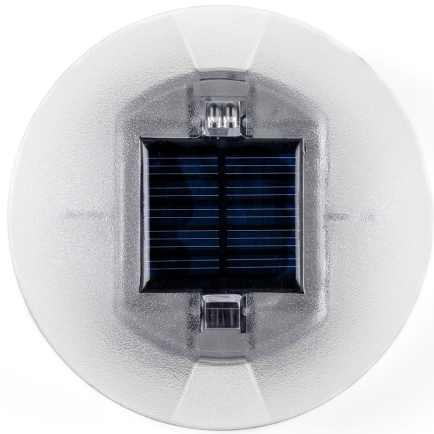
ECO-40

SOLAR - Embedded solar studs



ECO-40

Presentation



Road embedded solar stud

The ECO-40 stud is particularly suited to corrosive environments such as pontoons or seaside pathways. This solution requiring no energy is also used for beaconing cycle paths, footpaths, public squares, stairways, edges of swimming pools.

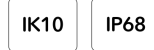
Applications

Cycle paths, Pontoons / Footbridges, Footpaths

Resistance

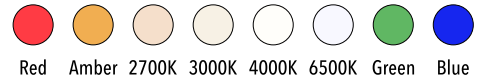


Standards



20 Joules

LED Colors



Beaconing

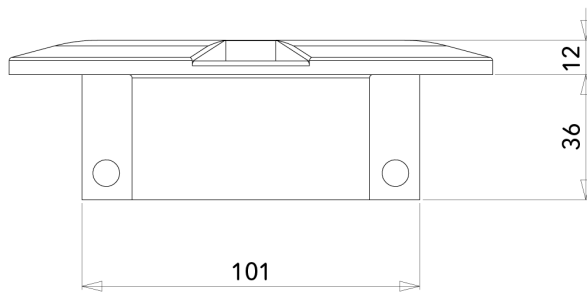
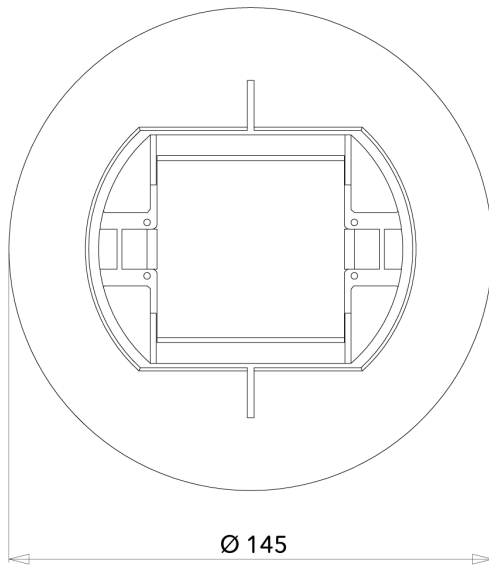
2 LED, 4 LED, Constant, Blinking, Grazing

Recycling



Certifications





Unité : mm - Tolérance +/- 0.5mm. © Eco-Innov - Tous droits réservés.

TECHNICAL CHARACTERISTICS

Dimensions and weight

Upper diameter : 145 mm.

Total height : 48 mm.

Height above roadway: approximately 470 g.

Height above roadway : 3 mm at each end (12 mm in the centre).

Materials

Polycarbonate.

Recycling by ECOSYSTEM.

Energy storage

Condenser for a longer average lifespan

Working temperature range

-30°C to +85°C

Protection indices

IP 68 (watertightness) / IK 10 (impact resistance)

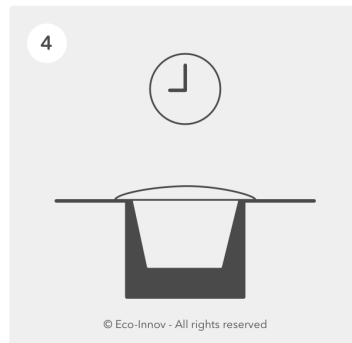
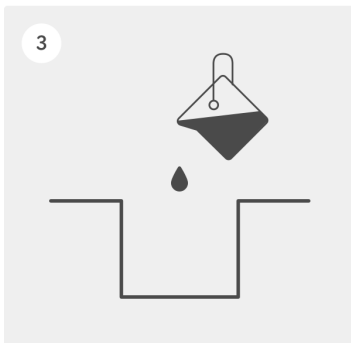
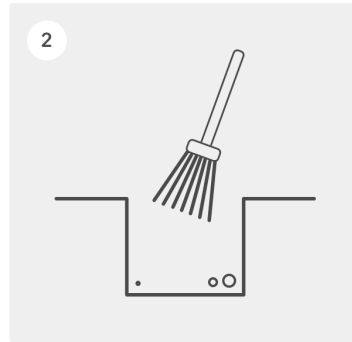
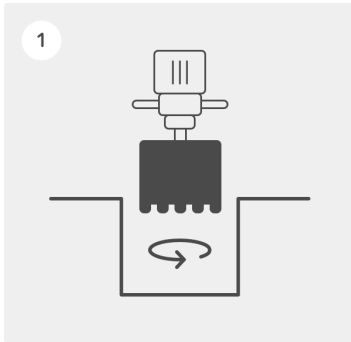
Not suitable for beaconing on roads used by motorised vehicles.

LIGHTING CHARACTERISTICS

Unidirectional or bidirectional beaconing, constant or blinking 2.5Hz (2.5 flashes per second) $\pm 10\%$.

1 or 2 LEDs in unidirectional mode / 1 LED per side in bidirectional mode (LEDs : Diameter 5 mm - Angle 15°).

Possibility of combining the following LED colours on the same stud : blue / cool white / green (Nichia® brand) and red / amber (Cree® brand).



1 - After deciding where the studs are to be installed, drill a hole with a minimum diameter of 110 mm and 45 mm deep.

2 - Carefully brush and clean the hole to remove any dust and traces of damp that would affect the efficiency of the adhesive.

3 - Apply a fine coat of Sikaprimaire 209 N over the entire lower surface and on the sides of the solar stud (which will be in contact with the adhesive). Leave it to dry for about 10 min (at a temperature of more than 15°C).

4 - Pour the bonding adhesive into the hole to about 1/3 of its height (depending on the dimensions of the hole). N.B. Do not use cement or any other alkaline mortar, but silicone- or polymer-based adhesives that are sufficiently elastic to withstand expansion and vibrations, for example. We recommend Sikaflex 521 UV.

5 - Press the ECO-40 into the adhesive by hand to position it level with the ground. Immediately clean all residual adhesive with a clean, dry cloth. Leave the adhesive to set (see the manufacturer's instructions for the time required).

Remark : make sure to keep the module and LEDs clean and protect them throughout these operations.

Failure to comply with these instructions may lead to the guarantee being suspended.

Lifespan and warranty**BATTERY**

- a. Condenser: Average lifespan more than 10 years. 2-year warranty*
- b. Ni-Mh accumulator: Average lifespan more than 5 years. 2-year warranty*

* The warranty applies in the event of complete failure of the self-contained lighting system during normal usage. It covers replacement of the faulty article with an identical model delivered free of charge to destinations in France, after the faulty article has been returned and analysed. On-site intervention fees are not included. Mechanical damage are not covered by the warranty.

For optimal operation, we recommended to install our solar equipment on sites with good light exposure.

Recycling

ECO-INNOV is a founder member of a network that recycles professional WEEE, managed by the eco-organisation ECOSYSTEM. We pay for our customers' electronic safety, lighting and regulation equipment to be collected at the end of its working life in order to meet our legal obligations and help them to meet theirs.

The unique identifier FR006801_05MBCK attesting to registration in the register of producers in the EEE sector, pursuant to article L.541-10-13 of the Environmental Code, has been assigned by ADEME to the company ECO-INNOV (SIRET 451 859 409 00026). This identifier certifies its conformity with regard to its obligation to registration in the register of producers of Electrical and Electronic Equipment and the realisation of its declarations of placing on the market with Ecosystem.

ECO-INNOV is thus one of the first producers to offer its customers a simple and free solution for collecting their professional WEEE, regardless of when it was marketed. The equipment is collected via a network of professional waste collection centres and certain wholesalers.



www.ecosystem.eco



Footpath. Visual delineation of the pathway to a cinema. ECO-40 embedded solar studs (bidirectional beaconing, 1 constant blue LED per side).